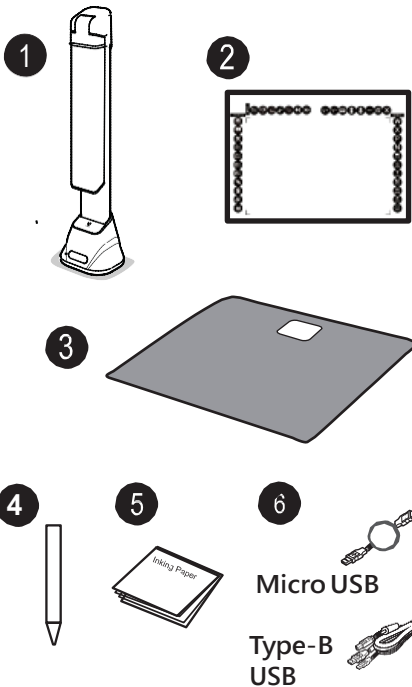


Inking Visualizer Tab USER Manual

Content

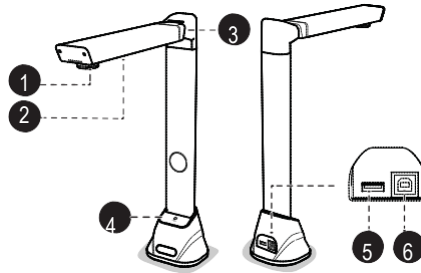


1. Visualizer
2. Inking Tab A5
3. Black Rubber Padding
4. Stylus Pen
5. Inking Paper
6. USB Cable
Type-B USB
Micro USB

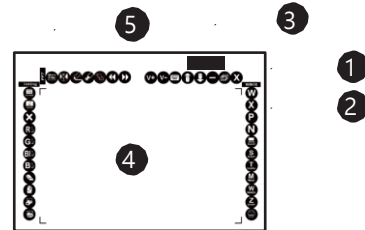


Parts

1. CMOS Camera
2. LED light
3. Adjust Joint
4. LED light adjuster
5. USB Hub
6. USB-Connector for PC



1. Micro USB Port
2. LED Light
3. Pen Holder
4. Writing Area (see manual for tab)
5. ShortCut Keys (see manual for tab)



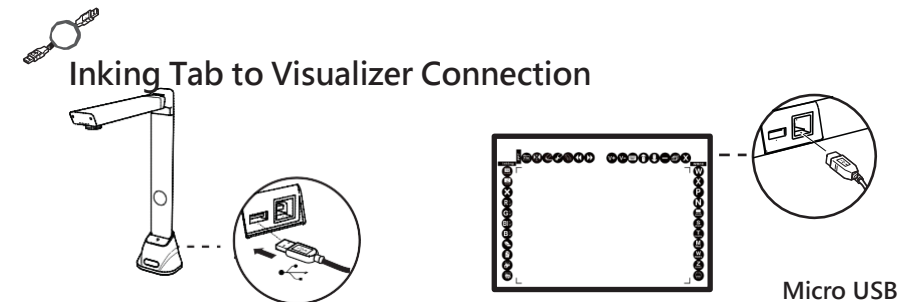
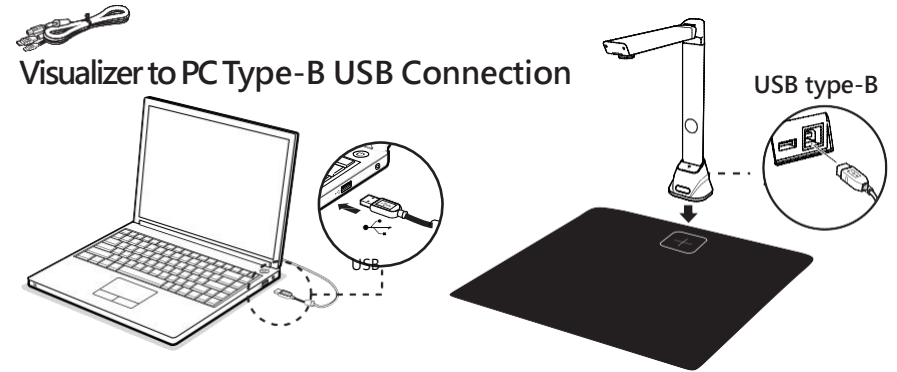
Software Installer

Compatible with Win 7, Win 10. Please install software before user

1. Visualizer (Camshop)
2. Inking Tab (Touch Setup)

Connection Method

1. Connect Type B USB Cable to Visualizer Type B Port
2. Connect other end of the USB-B Cable to PC
3. Connect micro USB cable to Inking Tab Micro USB Port
4. Connect other end of micro USB cable to visualizer USB HUB in the back



Ready to use
set up

